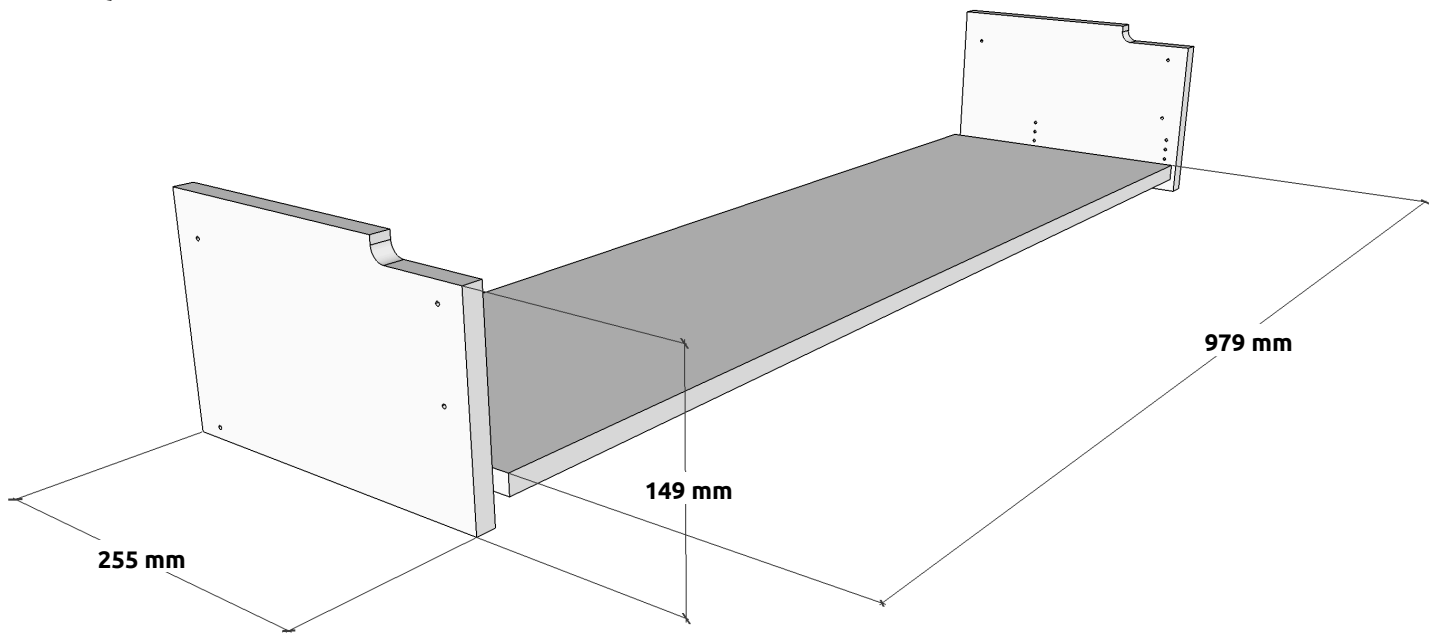


Measurements

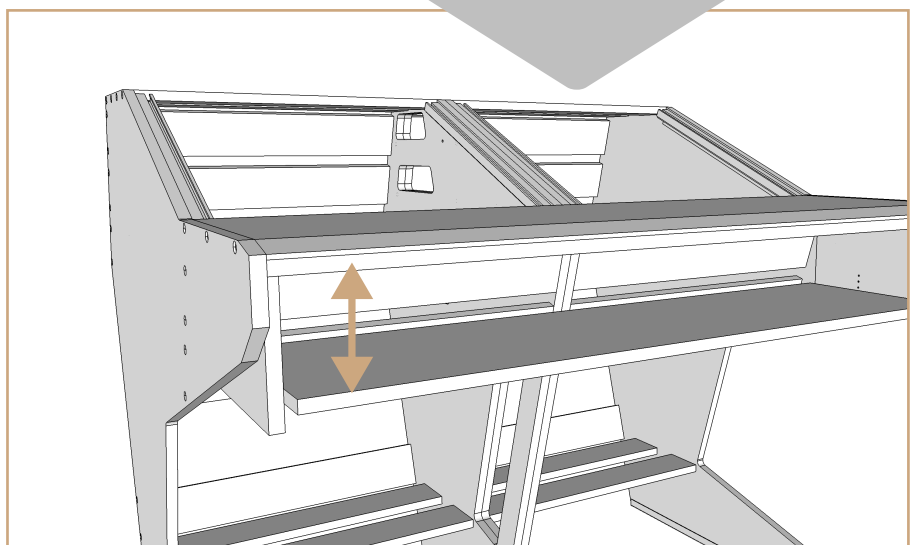
QUINTAVKEY



For keyboard heights from 90mm - 130mm.
You can reduce the keyboard drawers inner height by screwing the bottom part in a higher position. This way you can increase you leg room

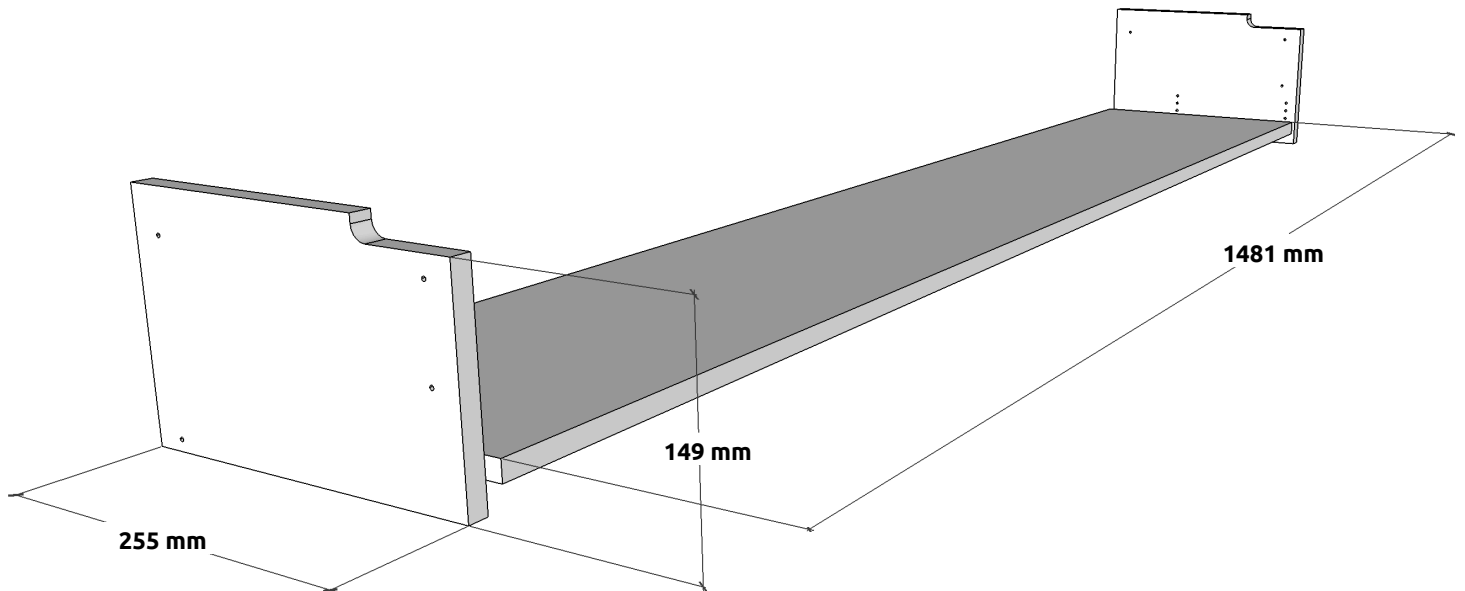
THE GUSTAVKEYMOUNT

The Sessiondesk **Quintavkey** fits your **Quintav**.
If you add the **Gustavkeymount**, it will also fit your **Gustav**.
The **Gustavkeymount** will make it possible, to attach this drawer to the bottom of the **Gustav's** table top.



Measurements

OKTAVKEY



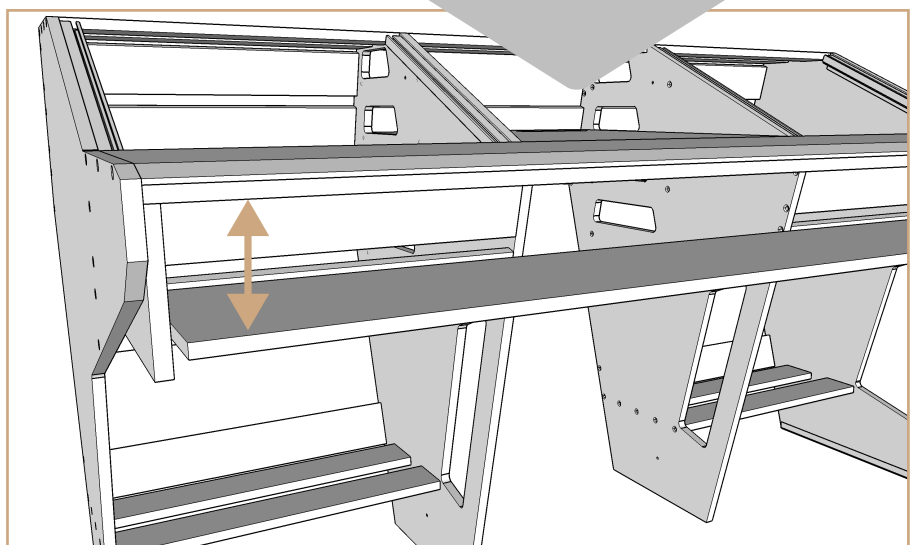
For keyboard heights from 90mm - 130mm.
You can reduce the keyboard drawers inner height by screwing the bottom part in a higher position. This way you can increase you leg room

THE GUSTAVKEYMOUNT

The Sessiondesk **Oktavkey** fits your **Oktav**.

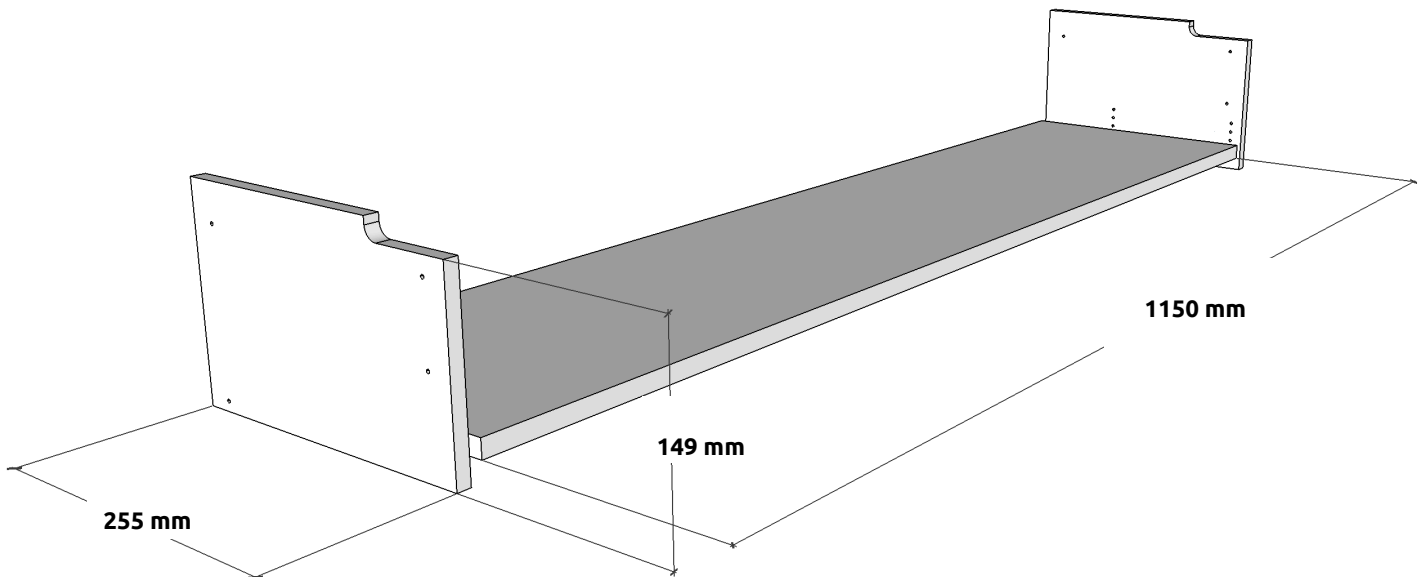
If you add the **Gustavkeymount**, it will also fit your **Gustav**.

The **Gustavkeymount** will make it possible, to attach this drawer to the bottom of the **Gustav's** table top.



Measurements

GUSTAVKEY



For keyboard heights from 90mm - 130mm.

You can reduce the keyboard drawers inner height by screwing the bottom part in a higher position. This way you can increase you leg room



THE GUSTAVKEYMOUNT

The Sessiondesk **Gustavkey** always comes with the **Gustavkeymount** (not in the picture). It provides the possibility to fix the side parts of the drawer to the bottom of the table top.

With the **Gustavkeymount** you could also install the **Quintavkey** and the **Oktavkey** to your **Gustav**.

