

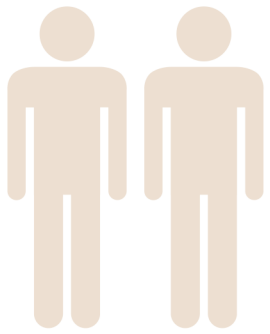
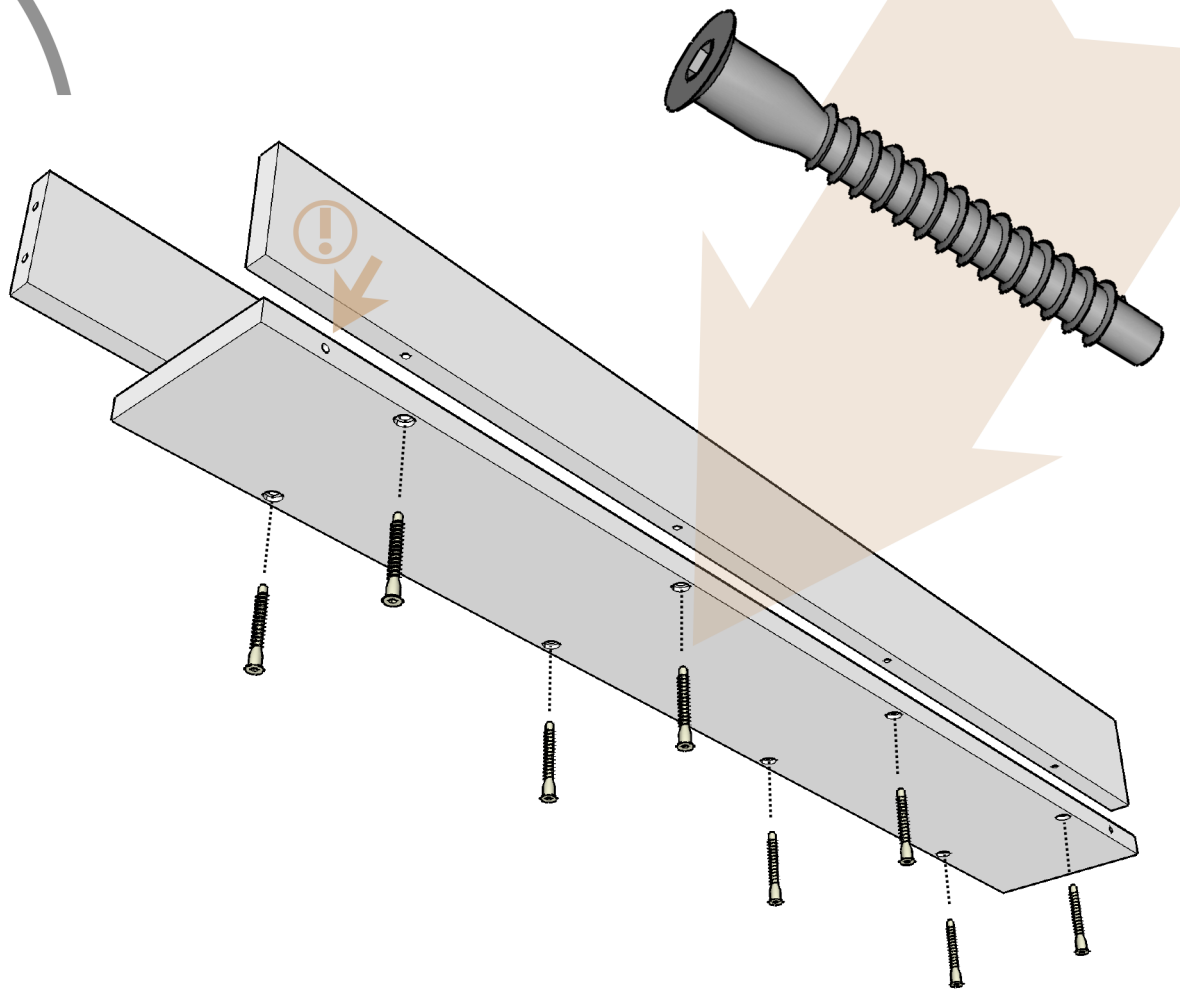


# Assembly Manual

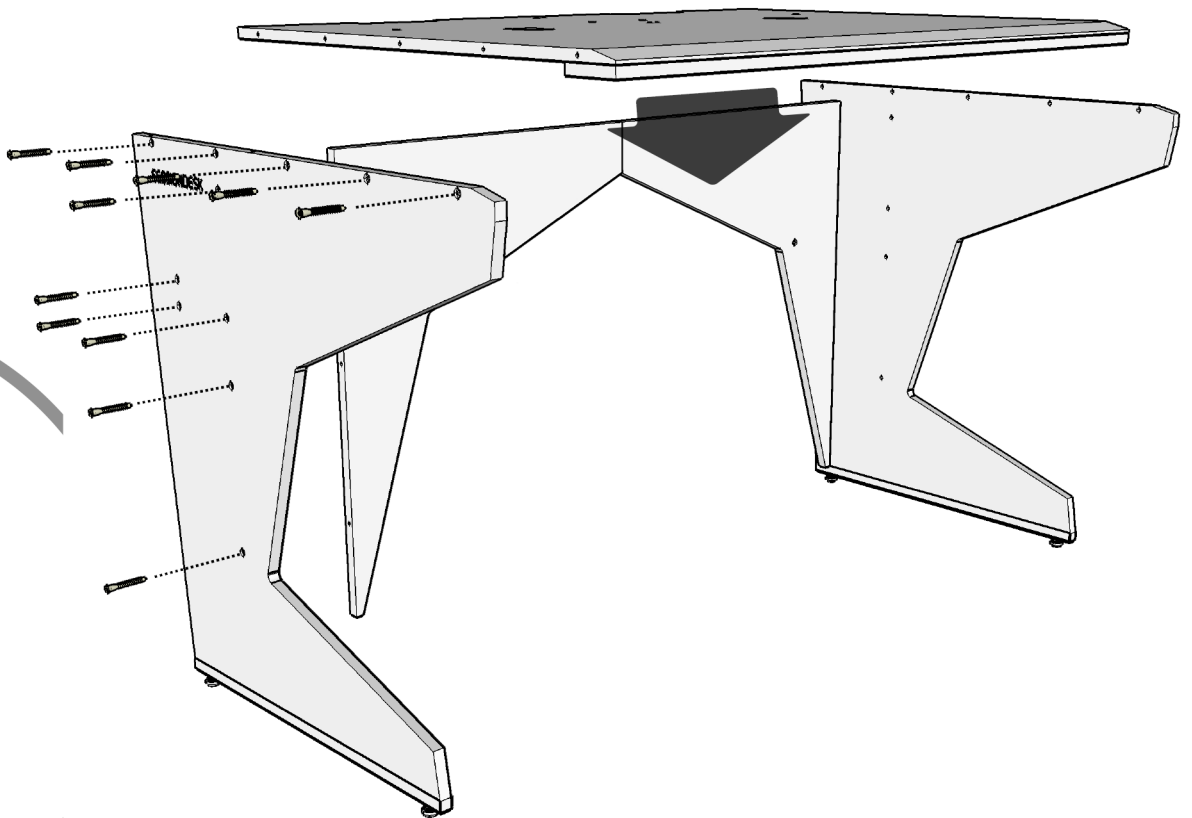


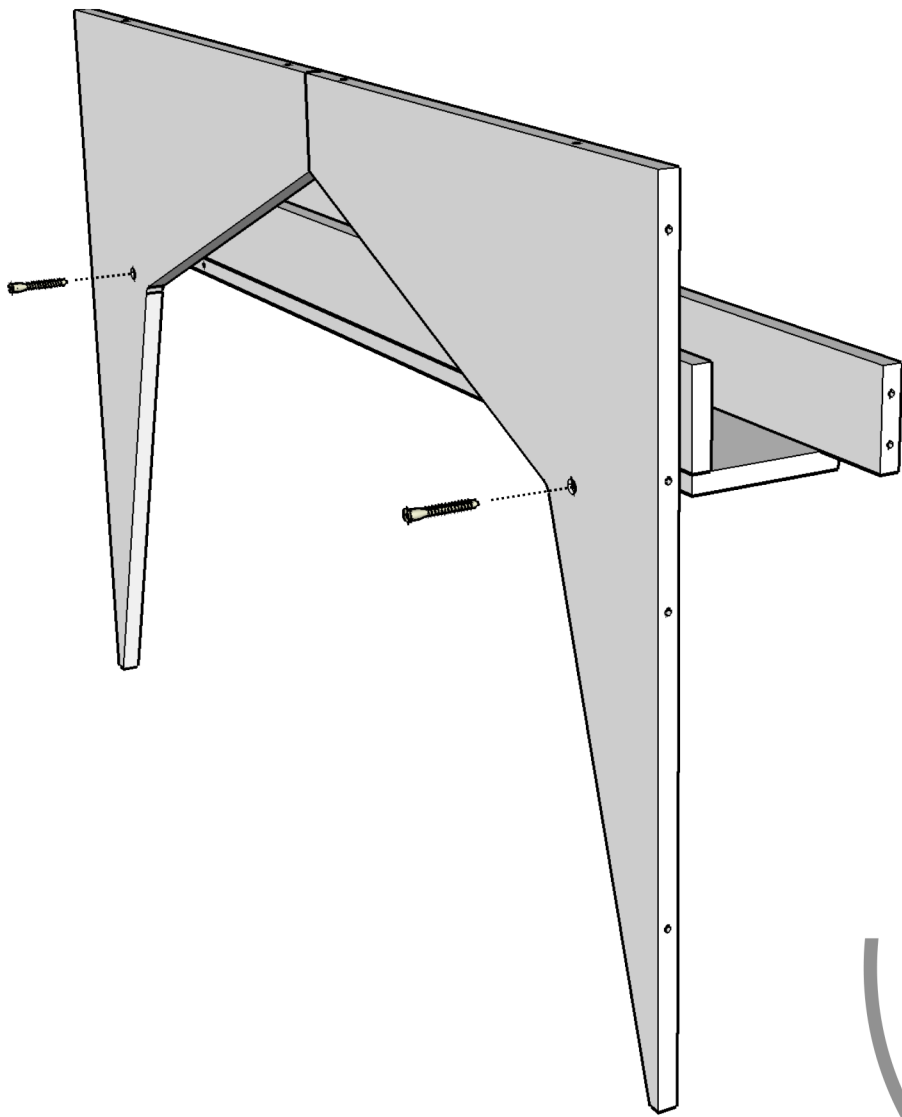
HOME SMALL

1

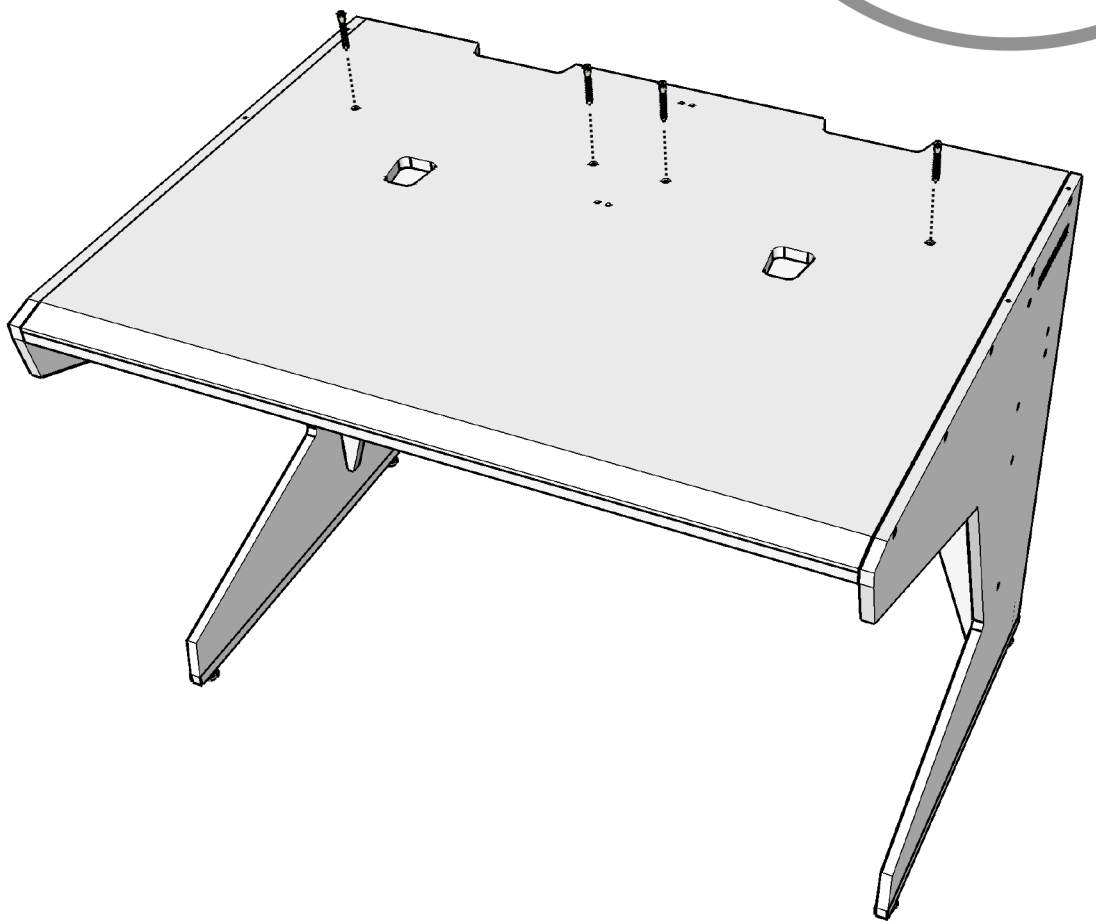


2



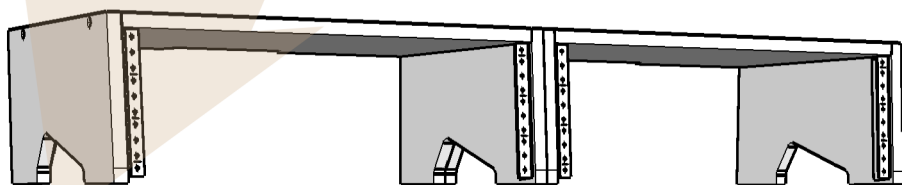
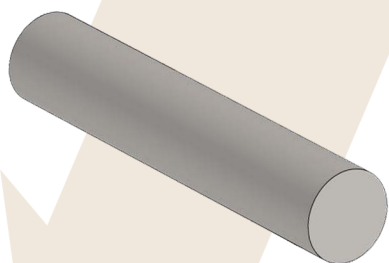
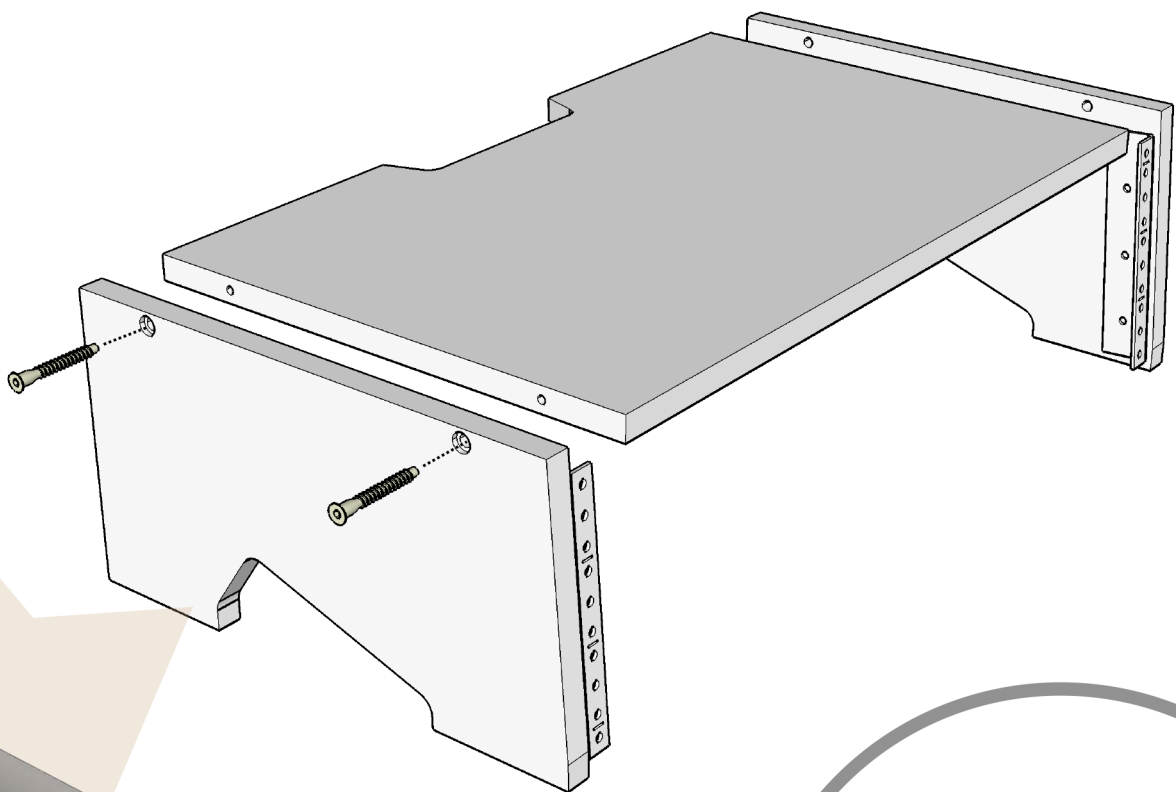


3

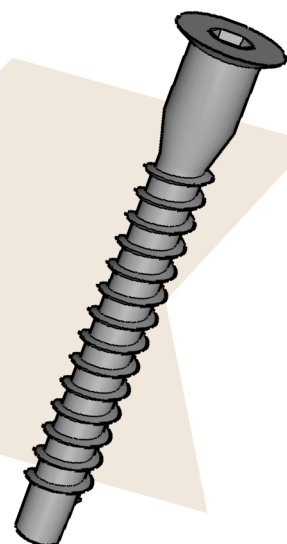
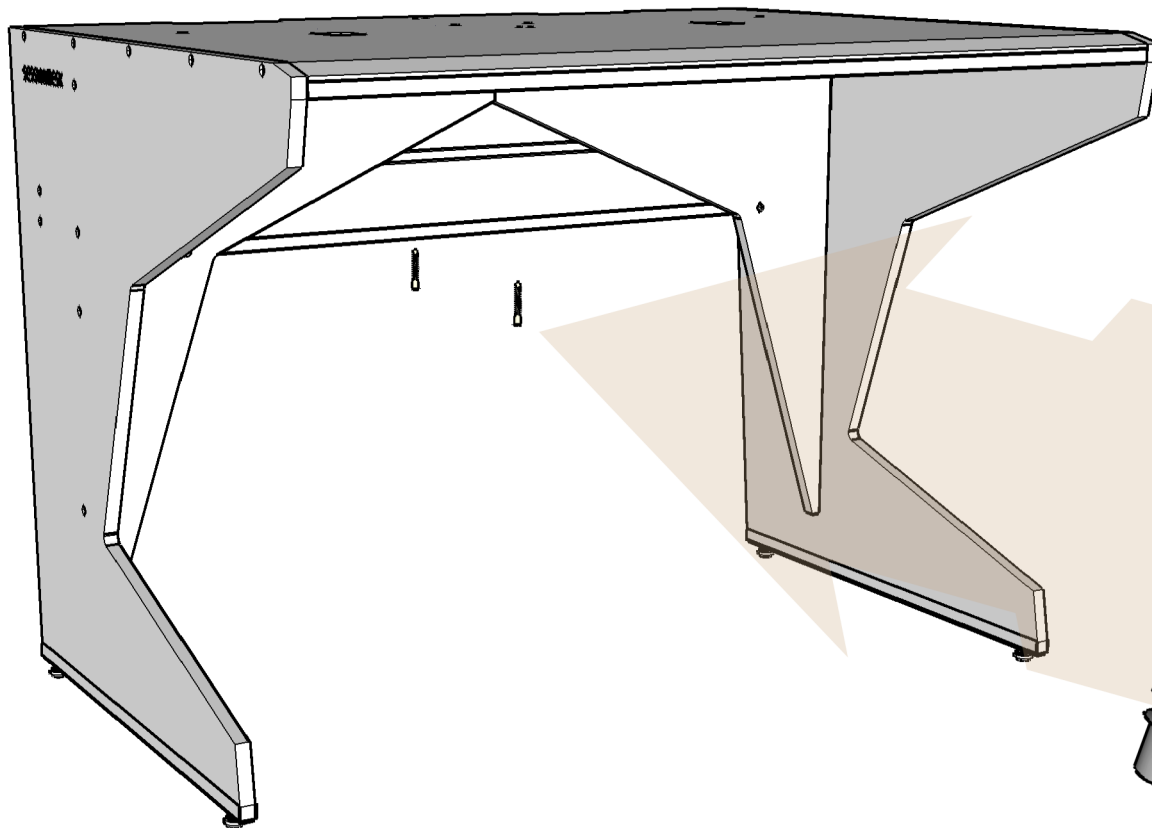


4

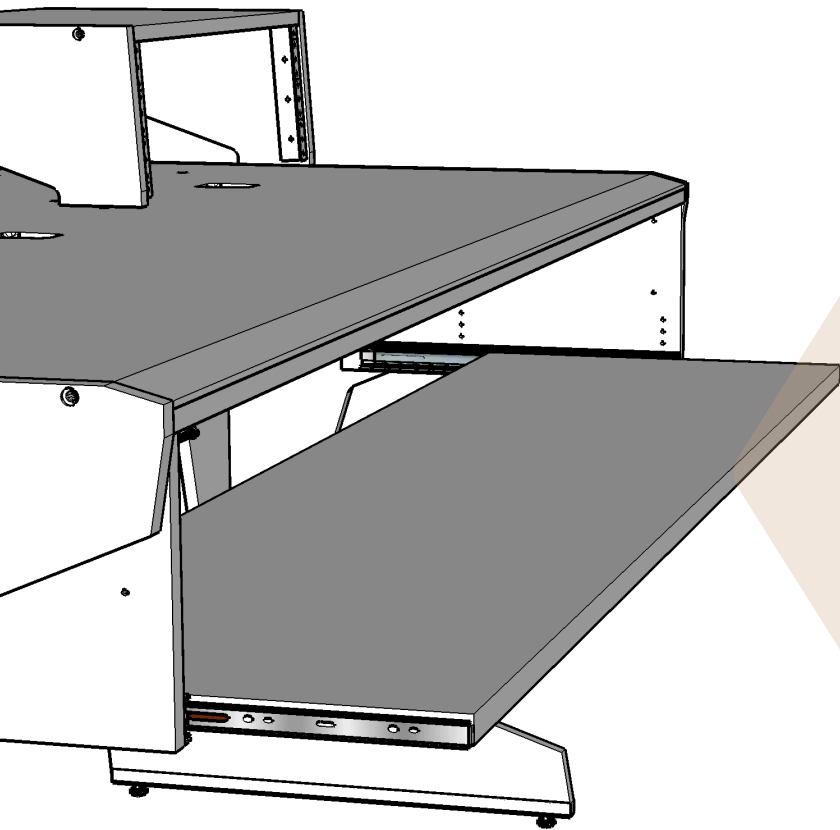
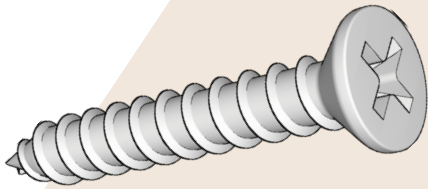
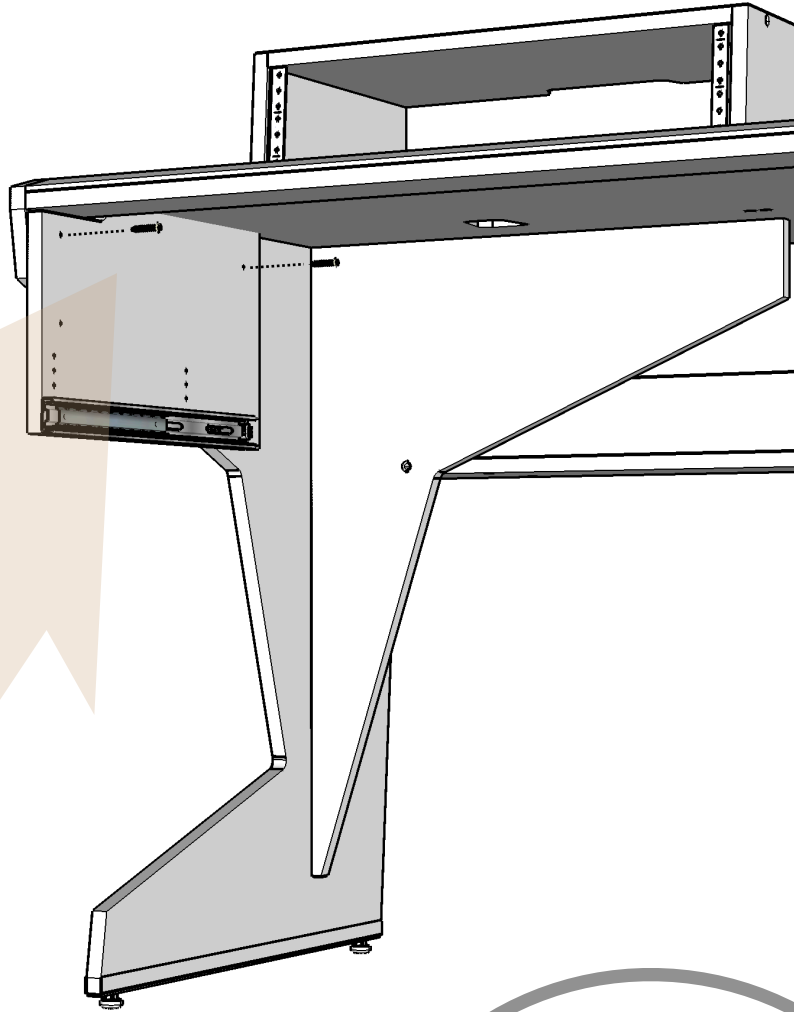
5



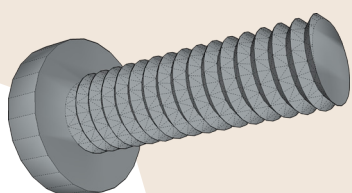
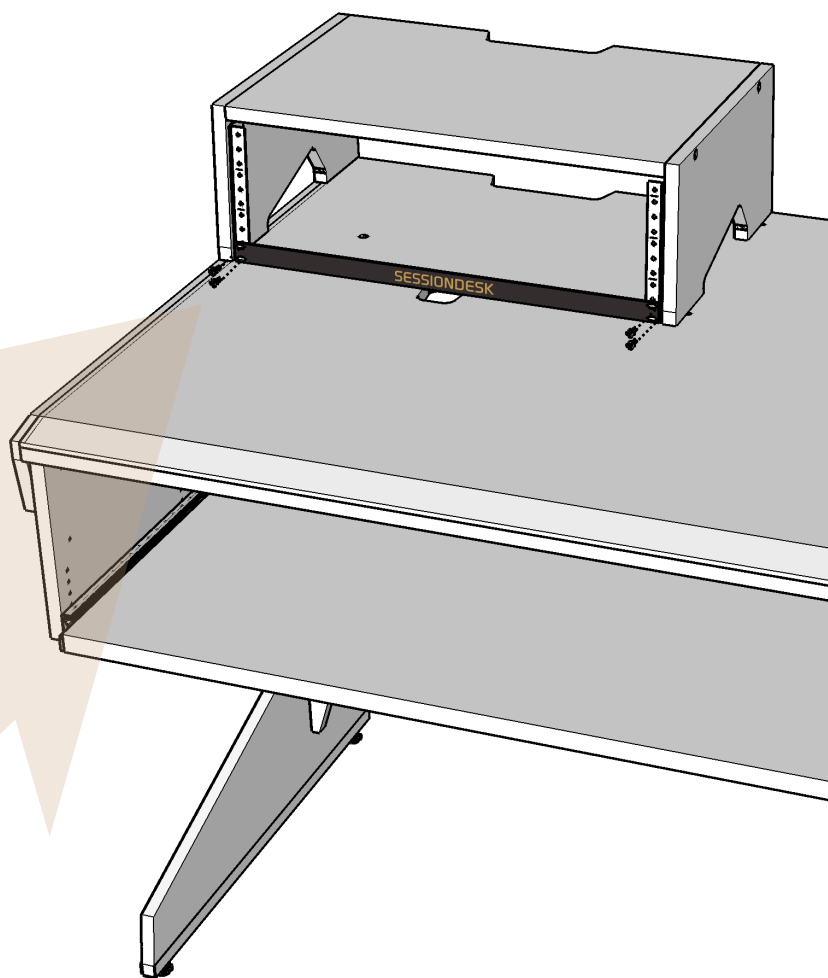
6



7



8



designed by audio engineers

[www.sessiondesk.com](http://www.sessiondesk.com)

[contact@sessiondesk.com](mailto:contact@sessiondesk.com)

Follow us on our channels:

[facebook.com/sessiondesk](https://facebook.com/sessiondesk)

[instagram.com/sessiondesk](https://instagram.com/sessiondesk)

[Youtube Channel](#)

© 2020 All rights reserved