

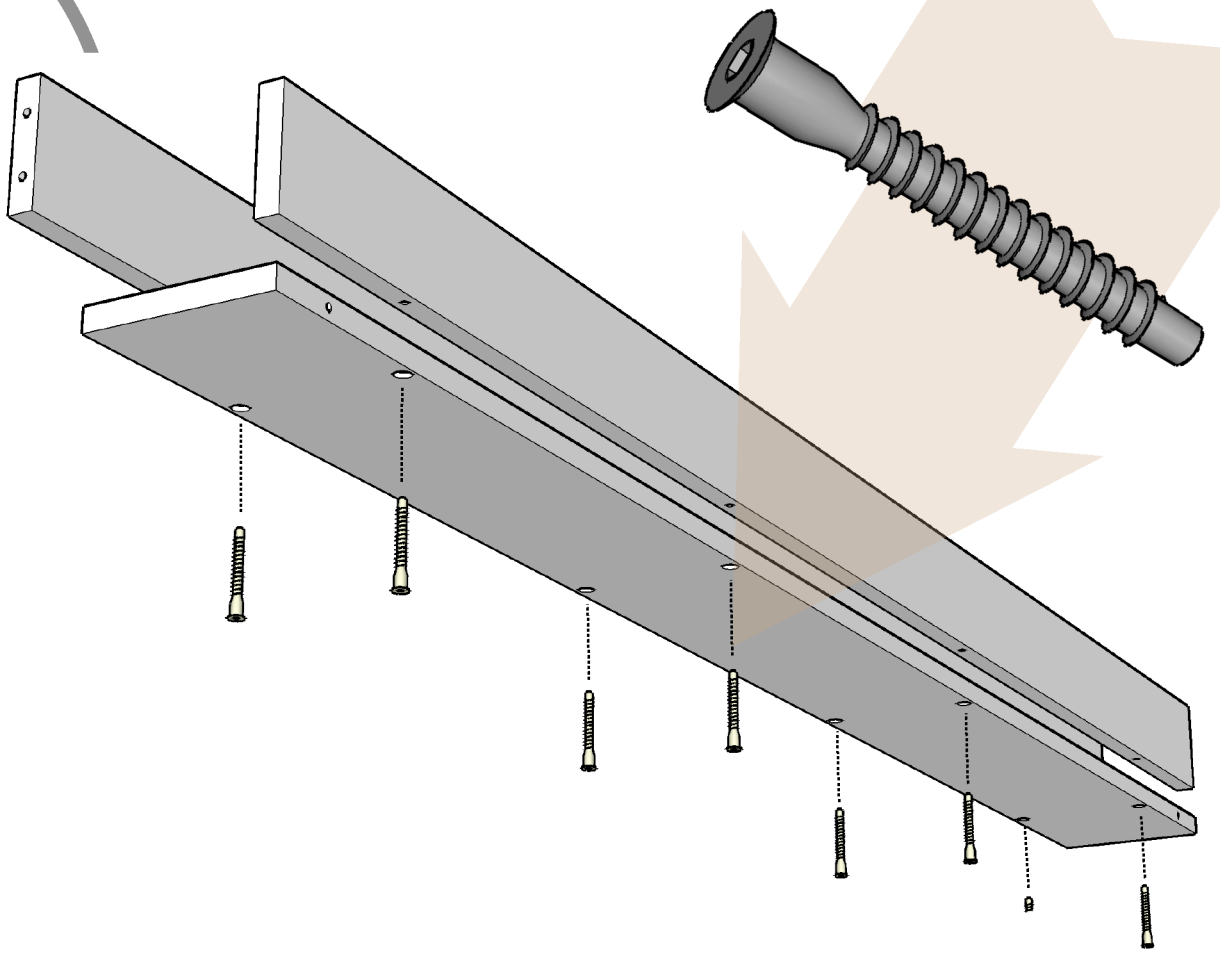


Assembly Manual

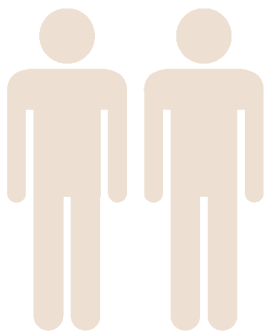
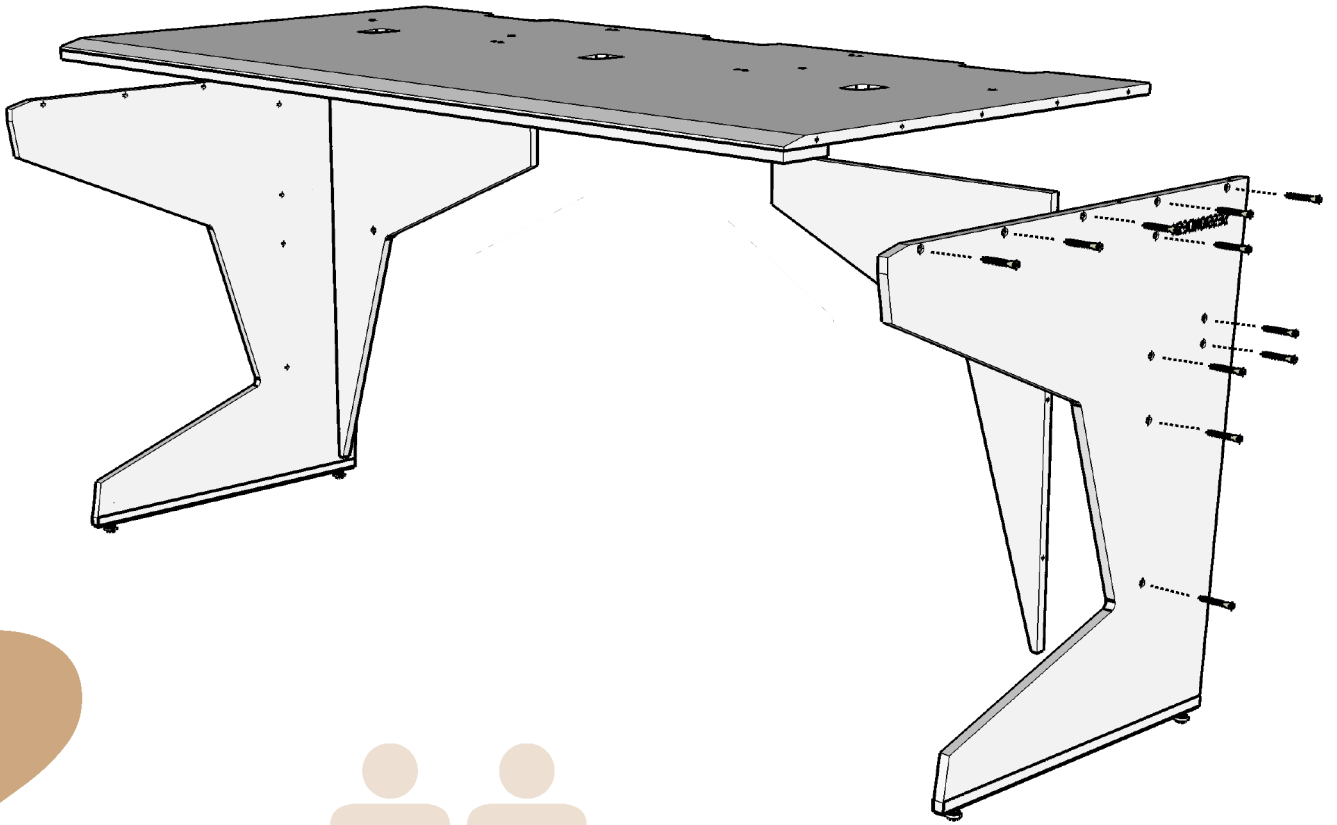


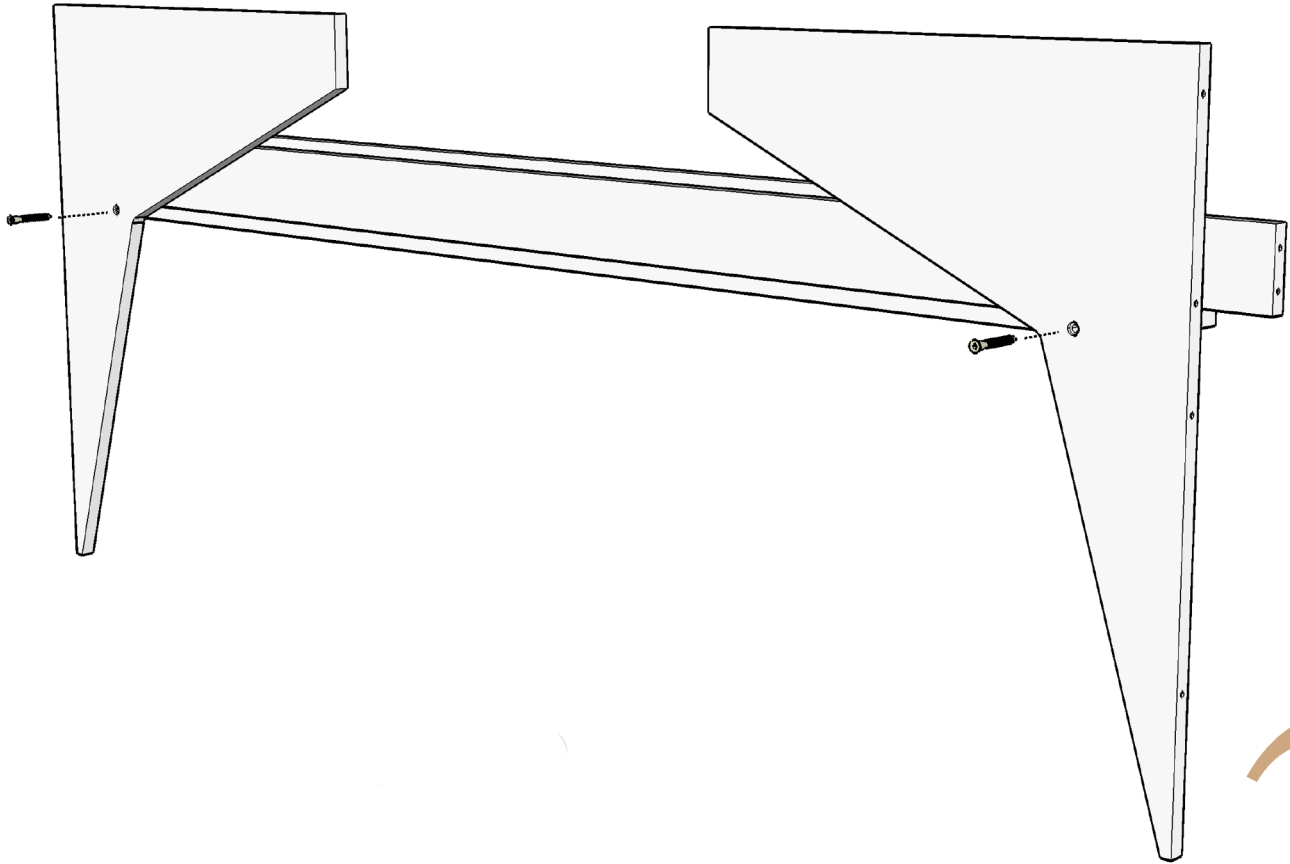
HOME BIG

1

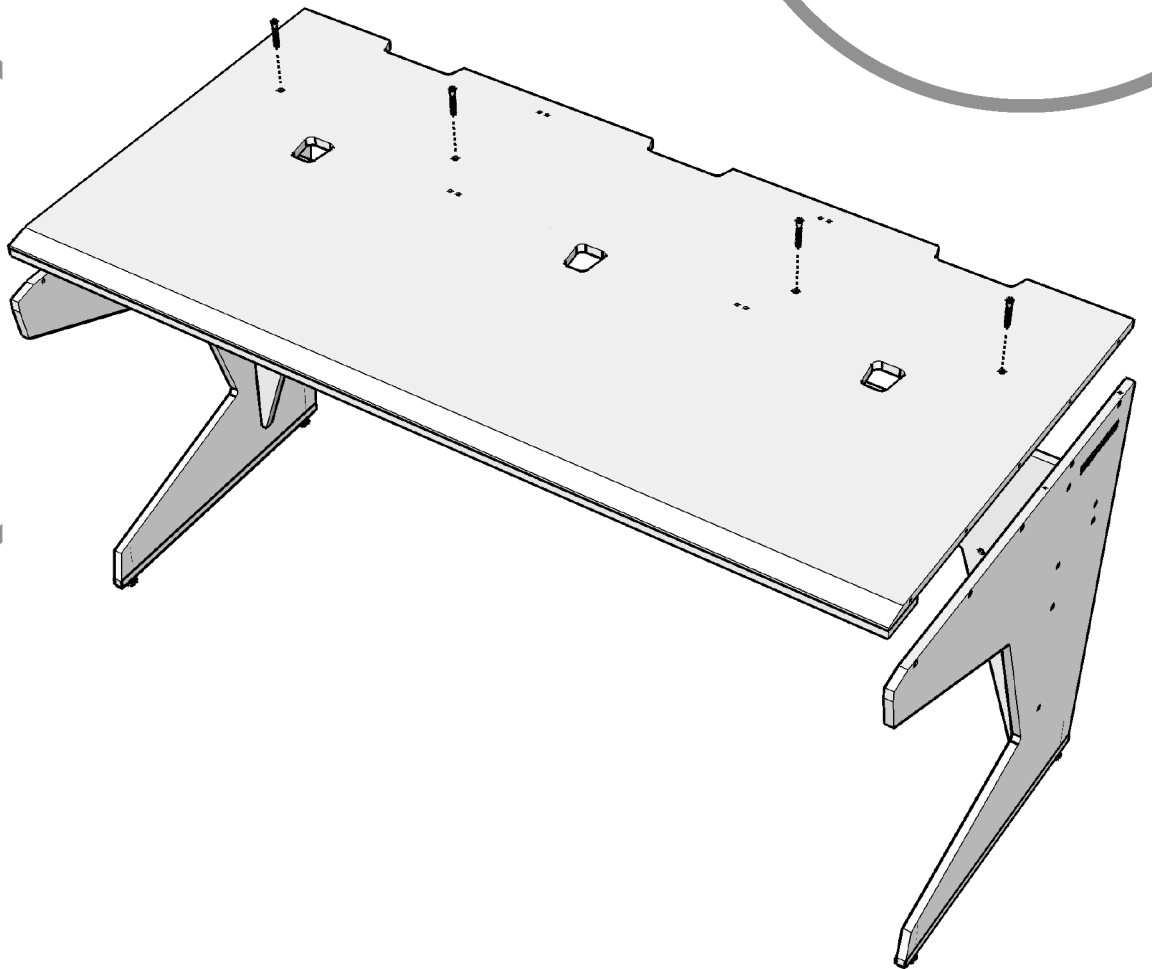


2



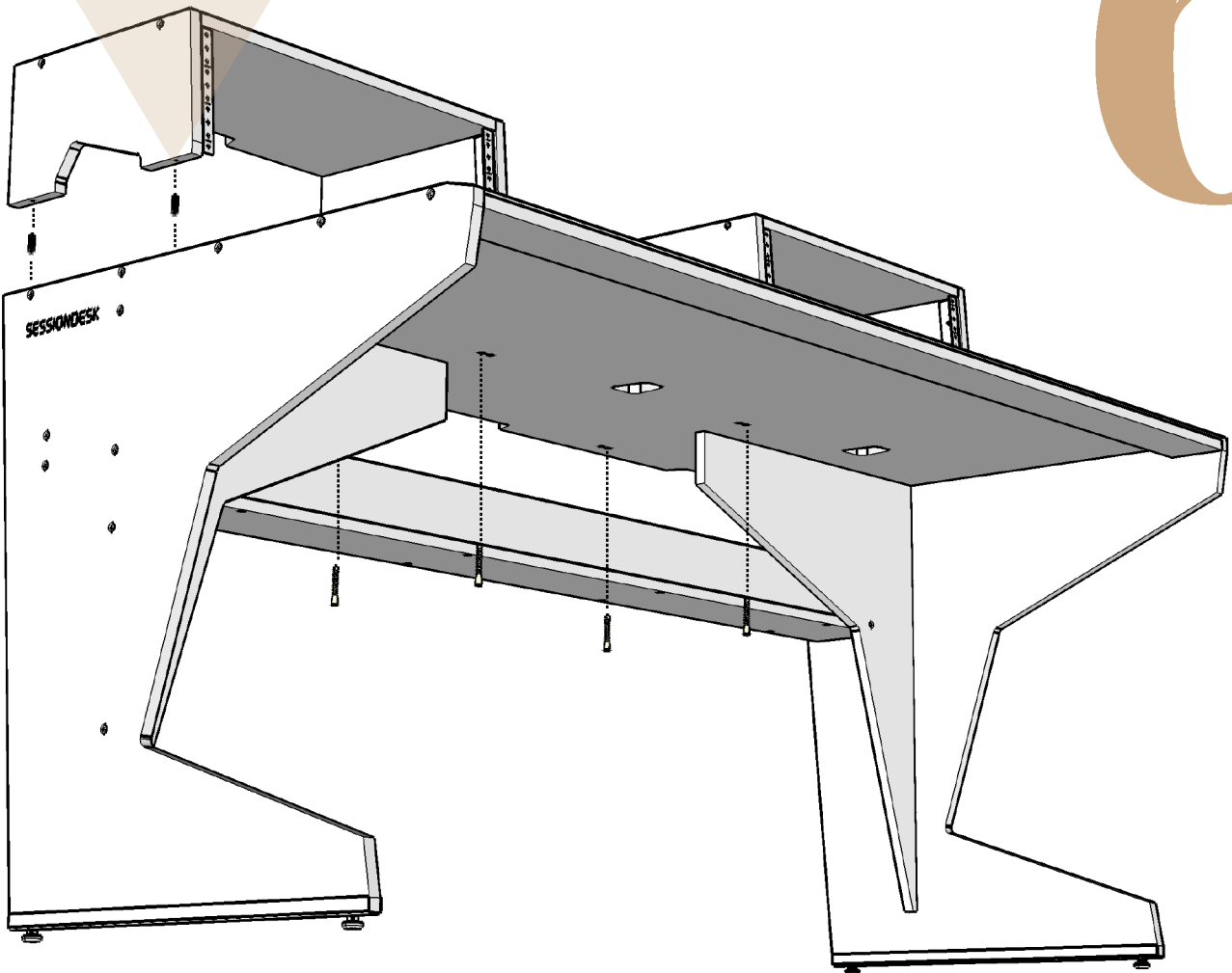
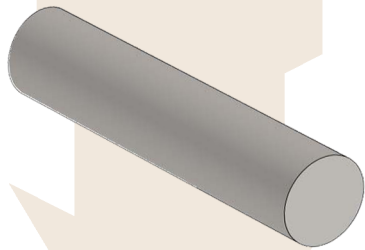
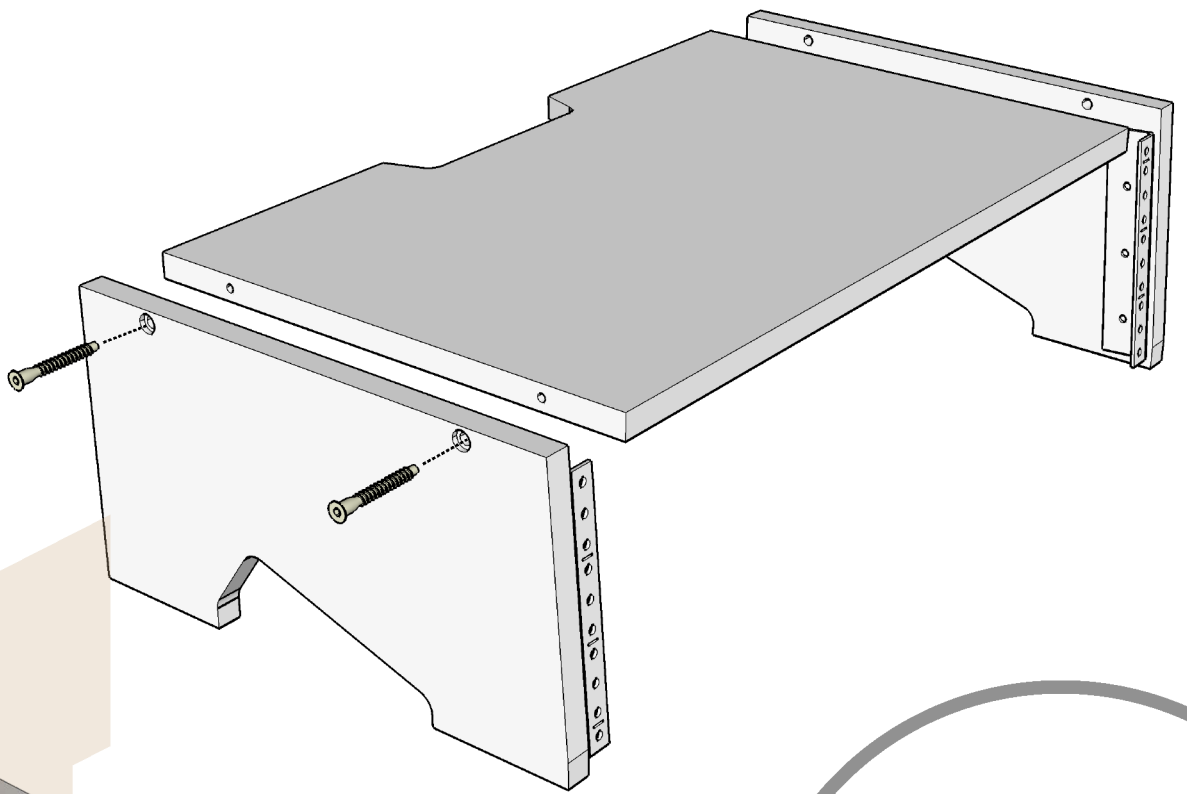


3



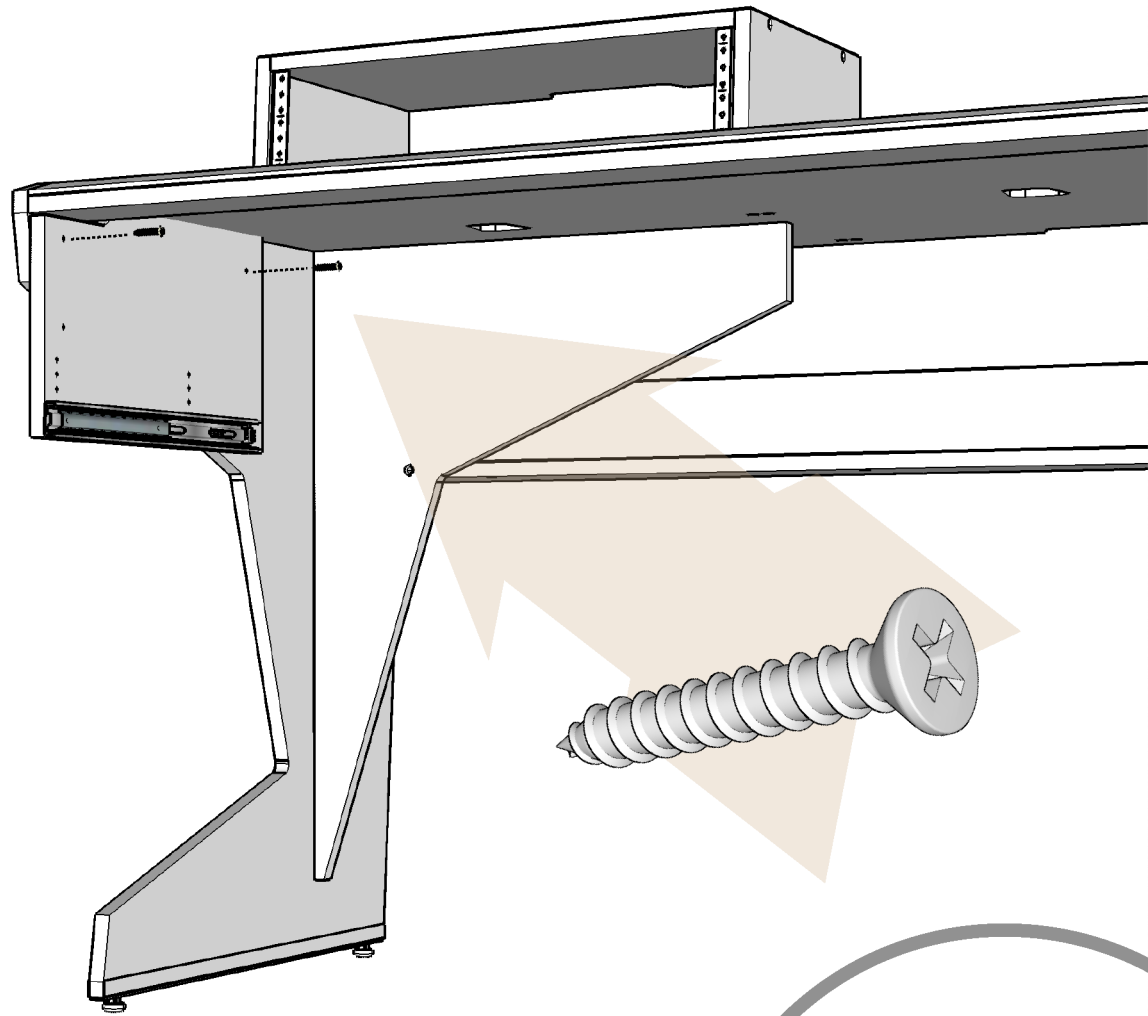
4

5

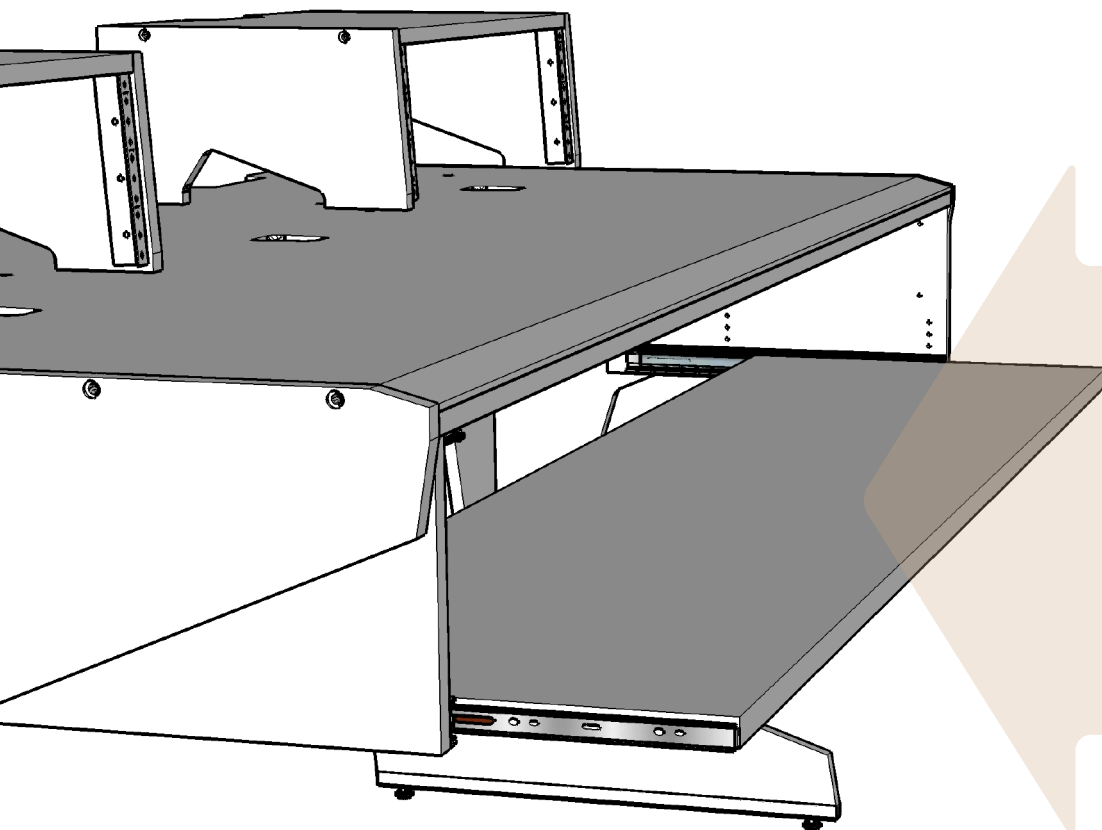


6

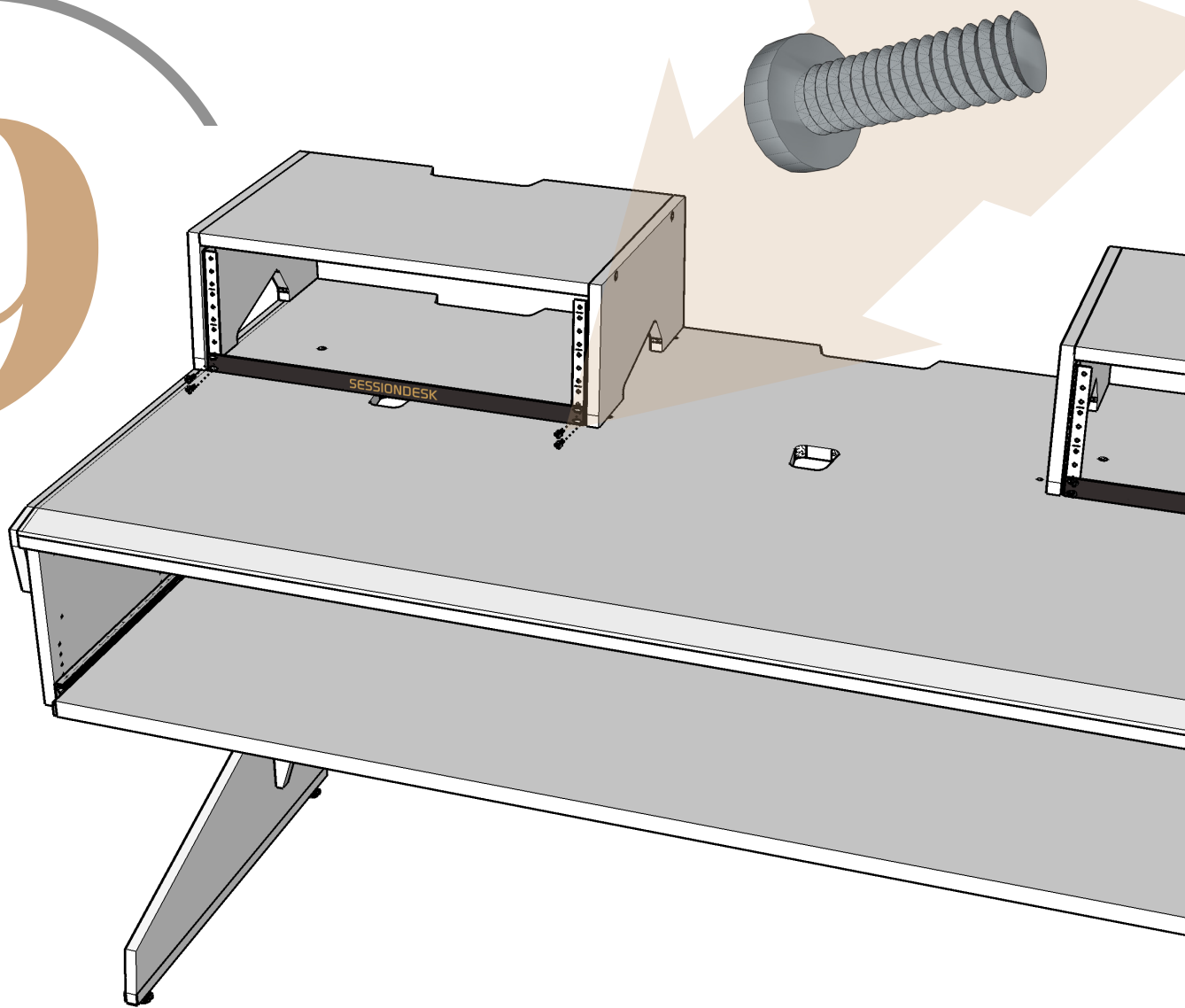
7



8



9



SESSIONDESK[®]
designed by audio engineers

www.sessiondesk.com
contact@sessiondesk.com

Follow us on our channels:
facebook.com/sessiondesk
instagram.com/sessiondesk
[Youtube Channel](#)

© 2020 All rights reserved